

CONSTRUCTION EQUIPMENT

SUNWARD
INNOVATION LEADS TO VALUE

MINI EXCAVATOR **SWE 08B**

Engine Power: **7.2 kW**

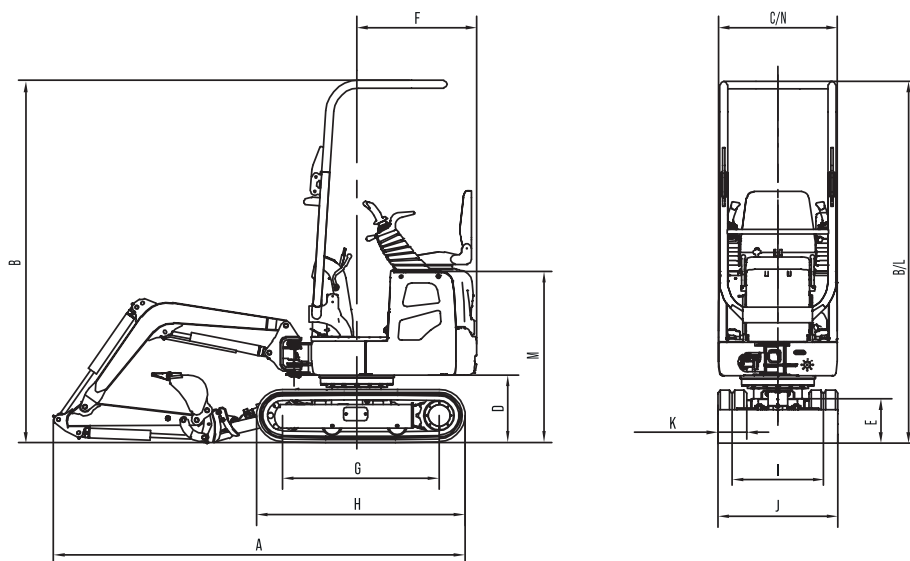
Machine Weight: **1 010 kg**



TECHNICAL PARAMETERS

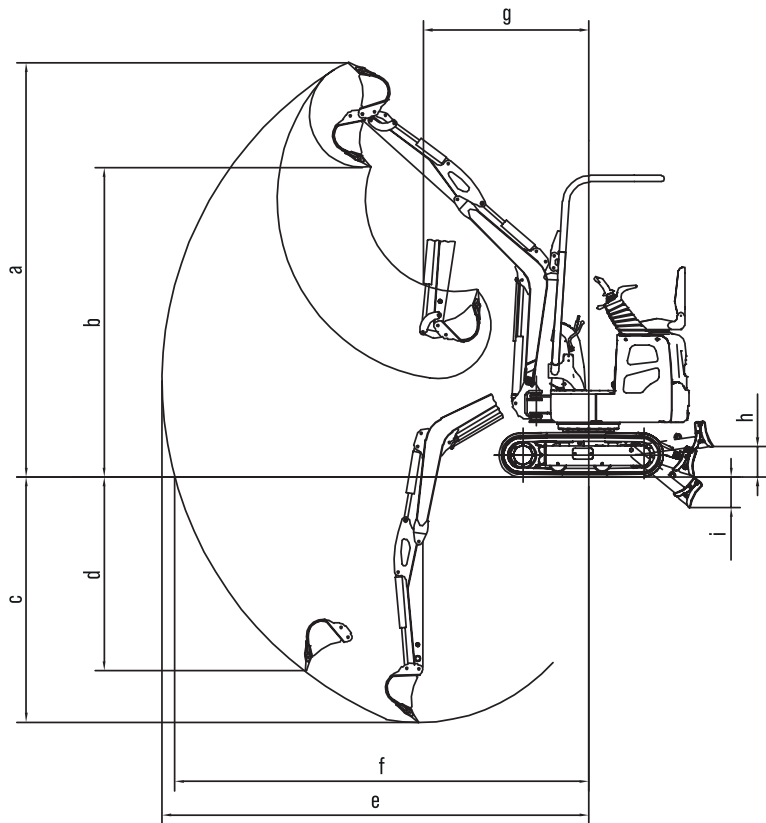
TYPE OF CAB		Canopy	
BUCKET CAPACITY		0.022 m ³	
BUCKET WIDTH, STD.		320 mm	
MACHINE WEIGHT		1010 kg	
DIMENSIONS	Overall dimension (L × W × H)	2 640 × 750 × 2 250 mm	
	A Total length	3 640 mm	
	B Total height	2 250 mm	
	C Total with	750 mm	
	D Ground clearance of counter weight	418.5 mm	
	E Minimum ground clearance	131 mm	
	F Tail swing radius	750 mm	
	G Track length on the ground	975 mm	
	H Track length	1 299 mm	
	I Track gauge	570/820 mm	
	J Undercarriage width	750/1 000 mm	
	K Track shoe width	180 mm	
	L Cab height	2 250 mm	
	M Height of engine hood	1 085 mm	
	N Width of turntable	740 mm	
	ENGINE	Brand	YANMAR
		Model	2TNV70-PSU
Type		Inline, 2 cylinders, water cooled, mechanical pump	
Emission rating		EU Stage V	
Displacement		0.57 L	
Output		7.2/2 400 kW/rpm	
Max torque		67.4/1 600 N*m/rpm	
TRACK	Type	Rubber track	
	Rubber shoe width	180 mm	
UNDERCARRIAGE	Track length	1 299 mm	
	Traveling speed (High/Low)	2.9/1.5 km/h	
	Gradeability	30 deg	
SWING SPEED		8.2 rpm	
GROUND PRESSURE		24.5 kpa	
HYDRAULIC PUMPS	Hydraulic pump type	2 gear pump	
	Max displacement of hydraulic pump	2*9.6 L/min	
	Hydraulic pressure of hydraulic pump	2*160 bar	
	Pilot pump	Gear pump	
	Max displacement of pilot pump	9.6 L/min	
	Hydraulic pressure of pilot pump	160 bar	
SWING MOTOR		Plunger motor	
TRAVEL MOTOR		2-speed plunger motor	
FUEL TANK CAPACITY		10 L	
HYDRAULIC OIL TANK CAPACITY		9.5 L	

DIMENSIONS



WORKING RANGE

WORKING RANGE & BREAKOUT FORCE	a	Max. cutting height	3 085 mm
	b	Max. loading height	2 305 mm
	c	Max. digging depth	1 825 mm
	d	Max. vertical digging depth	1 440 mm
	e	Max. digging reach	3 180 mm
	f	Max. reach on ground	3 086 mm
	g	Min. front swing radius	1 221 mm
	h	Max dozer lifting height	225 mm
	i	Max dozer cutting depth	225 mm
		Max digging force (Bucket)	9.4 kN
		Max digging force (Arm)	5.8 kN
		Boom swing angle (Left/Right)	73/53°

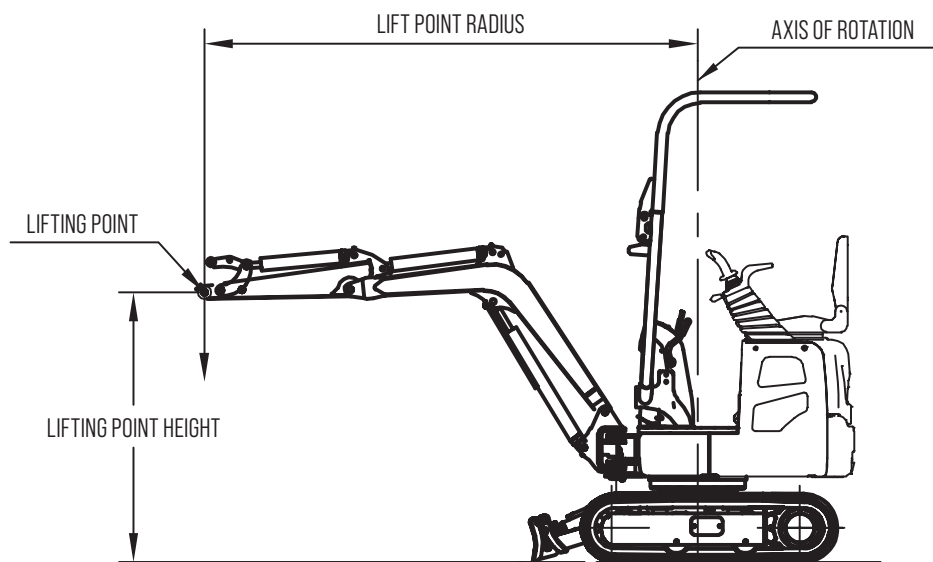


LIFTING CAPACITY

Lift Point Height (m)	Lift Point Radius (MAX)		Lift Point Radius (2.0 m)		Lift Point Radius (1.0 m)	
	Over-front (kg)	Over-side (kg)	Over-front (kg)	Over-side (kg)	Over-front (kg)	Over-side (kg)
2.0	119.60*	86.6	129.20*	107.30	/	/
1.0	157.90*	61.9	135.50	94.90	416.40*	264.00
0.0	196.20*	70.1	224.90*	86.60	445.10*	202.20
-1.0	205.80*	127.9	/	/	287.10*	243.40

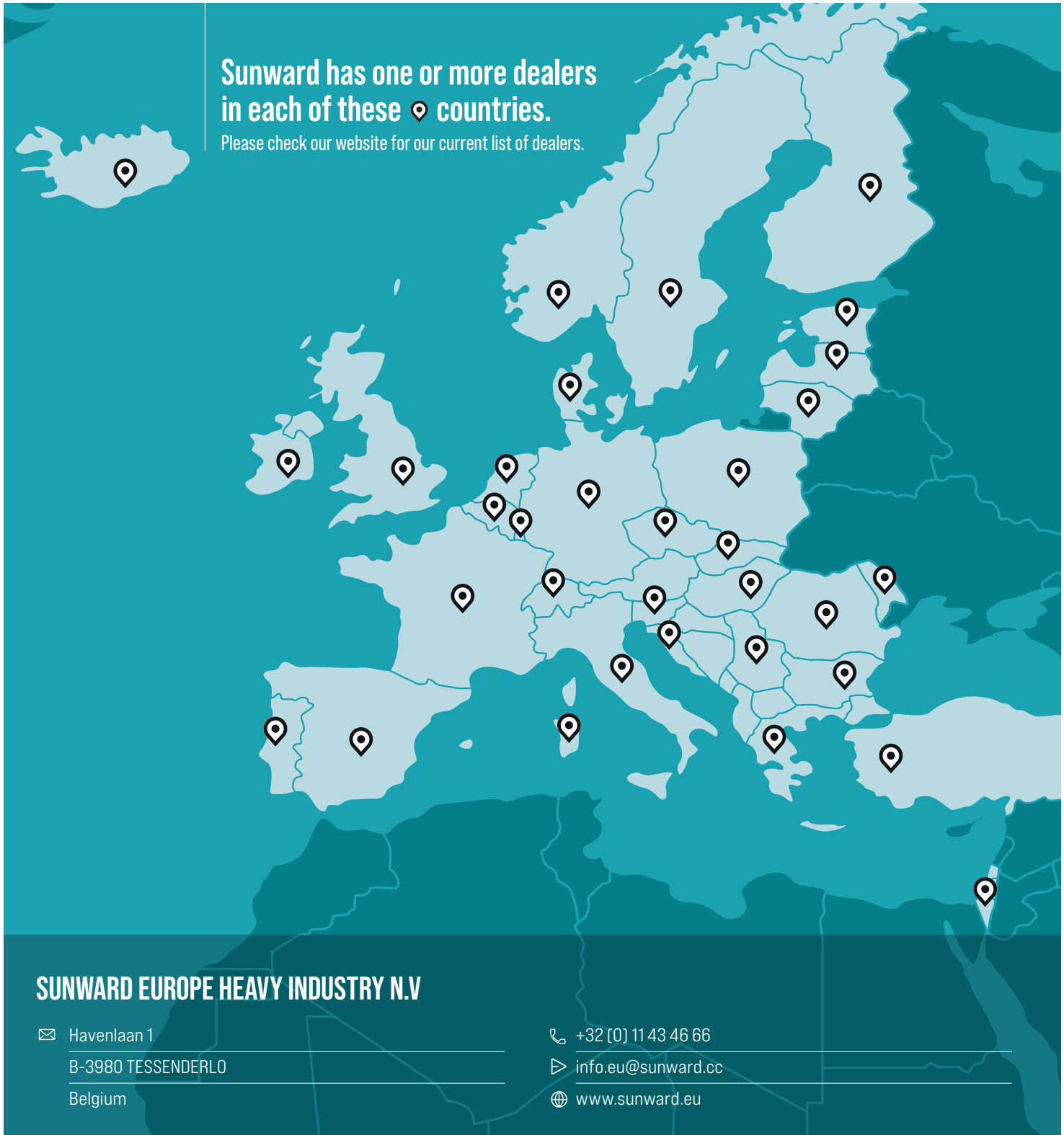
Notes:

1. Load with * is limited by hydraulic capacity and based on ISO 10567. Rated loads do not exceed 87% of hydraulic capacity.
2. Load without * is limited by tipping load and based on ISO 10567. Rated loads do not exceed 75% of tipping capacity.
3. The excavator bucket, hook, sling and other lifting accessories are not included in this table.



Sunward has one or more dealers
in each of these  countries.

Please check our website for our current list of dealers.



SUNWARD EUROPE HEAVY INDUSTRY N.V

✉ Havenlaan 1
B-3980 TESSENDERLO
Belgium

☎ +32 (0) 11 43 46 66
▶ info.eu@sunward.cc
🌐 www.sunward.eu

CE_EU_L3_SWE088-20220902_EN_EU

DEALER CONTACTS