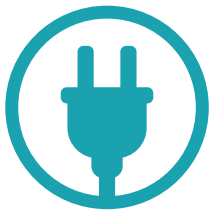


CONSTRUCTION EQUIPMENT

**SUNWARD**  
INNOVATION LEADS TO VALUE



ELECTRIC  
MINI EXCAVATOR

# SWE 20FED

Engine Power: **8 kW**

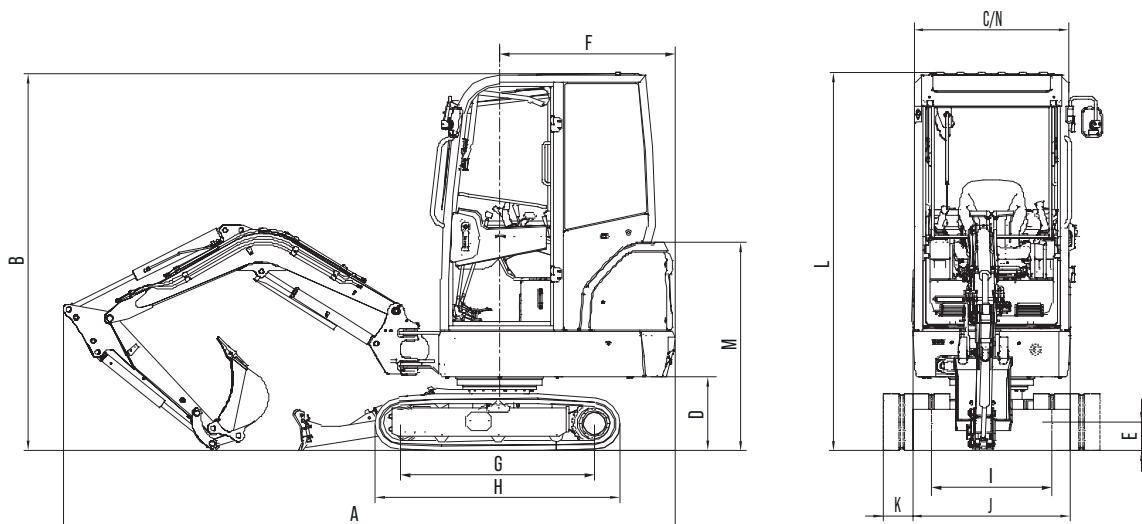
Machine Weight: **1920 kg**



## TECHNICAL PARAMETERS

TYPE OF CAB		Cab / Canopy	
BUCKET CAPACITY		0.035 m <sup>3</sup>	
BUCKET WIDTH, STD.		370 mm	
MACHINE WEIGHT		1640-1780 kg	
DIMENSIONS	Overall dimension (L × W × H)	3 840 × 990 × 2 360 mm	
	A Total length	3 840 mm	
	B Total height	2 360 mm	
	C Total with	990 mm	
	D Ground clearance of counter weight	460 mm	
	E Minimum ground clearance	160 mm	
	F Tail swing radius	1 110 mm	
	G Track length on the ground	1 210 mm	
	H Track length	1 555 mm	
	I Track gauge	760/1 130 mm	
	J Undercarriage width	990/1 360 mm	
	K Track shoe width	230 mm	
	L Cab height	2 360 mm	
	M Height of engine hood	1 310 mm	
	N Width of turntable	990 mm	
	POWER SOURCE	Boom length	1 800 mm
		Arm length	1 150 mm
Battery type		Lithium-ion	
POWER SOURCE	System voltage	76.8 V	
	Emissions	Zero emissions at point of use	
MOTOR	Type	3-Phase asynchronous	
	Power	8 kW	
	Max. torque	120 N*m	
TRACK	Type	Rubber track	
	Rubber shoe width	230 mm	
UNDERCARRIAGE	Track length	1 555 mm	
	Traveling speed (High/Low)	4.5/2.5 km/h	
	Gradeability	30 deg	
SWING SPEED		10 rpm	
GROUND PRESSURE		30 kpa	
HYDRAULIC PUMPS	Hydraulic pump type	Single axial swashplate piston pump	
	Max displacement of hydraulic pump	67.2 L/min	
	Hydraulic pressure of hydraulic pump	245 bar	
	Pilot pump	/	
	Max displacement of pilot pump	15 L/min	
HYDRAULIC PUMPS	Hydraulic pressure of pilot pump	32 bar	
SWING MOTOR		Piston motor	
TRAVEL MOTOR		Piston motor	
HYDRAULIC OIL TANK CAPACITY		26 L	

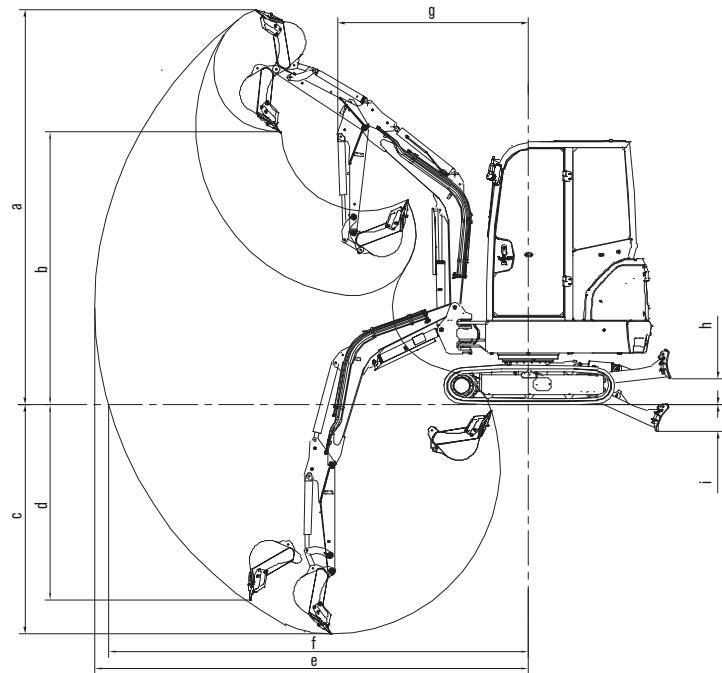
## DIMENSIONS





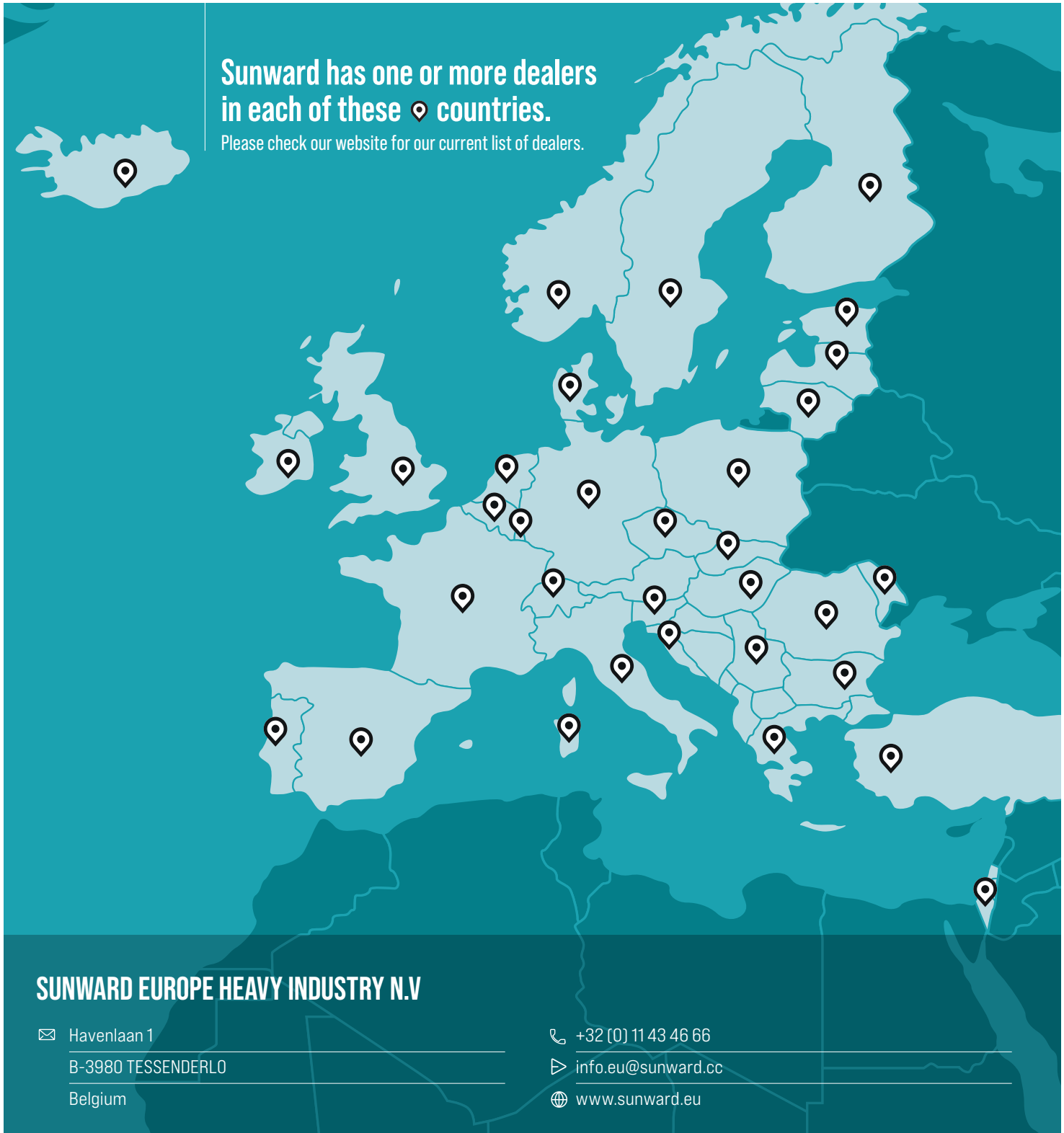
## WORKING RANGE

WORKING RANGE & BREAKOUT FORCE	a	Max. cutting height	3 533 mm
	b	Max. loading height	2 440 mm
	c	Max. digging depth	2 057 mm
	d	Max. digging depth (2.4 m)	1 757 mm
	e	Max. digging reach	3 883 mm
	f	Max. reach on ground	3 762 mm
	g	Min. front swing radius	1 580 mm
	h	Max dozer lifting height	240 mm
	i	Max dozer cutting depth	240 mm
		Max digging force (Bucket)	21 kN
		Max digging force (Arm)	12 kN
		Boom swing angle (Left/Right)	65/47°



Sunward has one or more dealers  
in each of these  countries.

Please check our website for our current list of dealers.



## SUNWARD EUROPE HEAVY INDUSTRY N.V

✉ Havenlaan 1  
B-3980 TESSENDERLO  
Belgium

☎ +32 (0) 11 43 46 66  
▶ info.eu@sunward.cc  
🌐 www.sunward.eu

CE\_EU\_L3\_SWE20FED-20220807\_EN\_EU

## DEALER CONTACTS