

CONSTRUCTION EQUIPMENT

**SUNWARD**  
INNOVATION LEADS TO VALUE

COMPACT EXCAVATOR **SWE 60UF**

Engine Power: **36.5 kW**

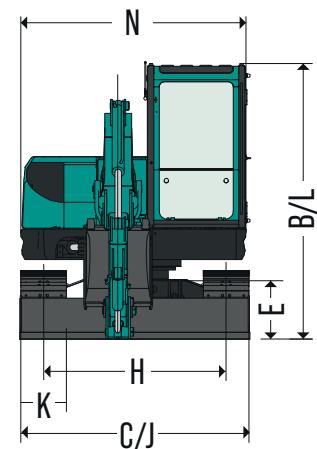
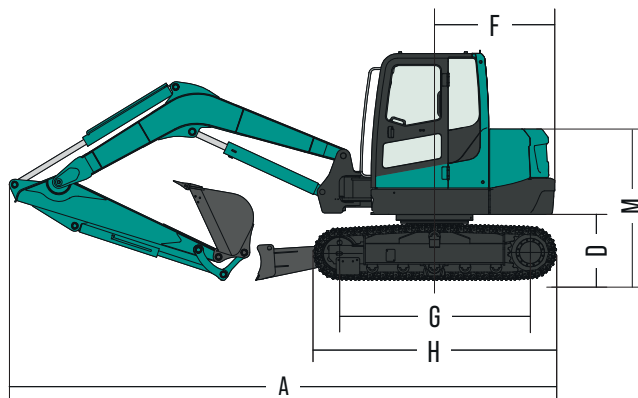
Machine Weight: **5 700 - 5 770 kg**



## TECHNICAL PARAMETERS

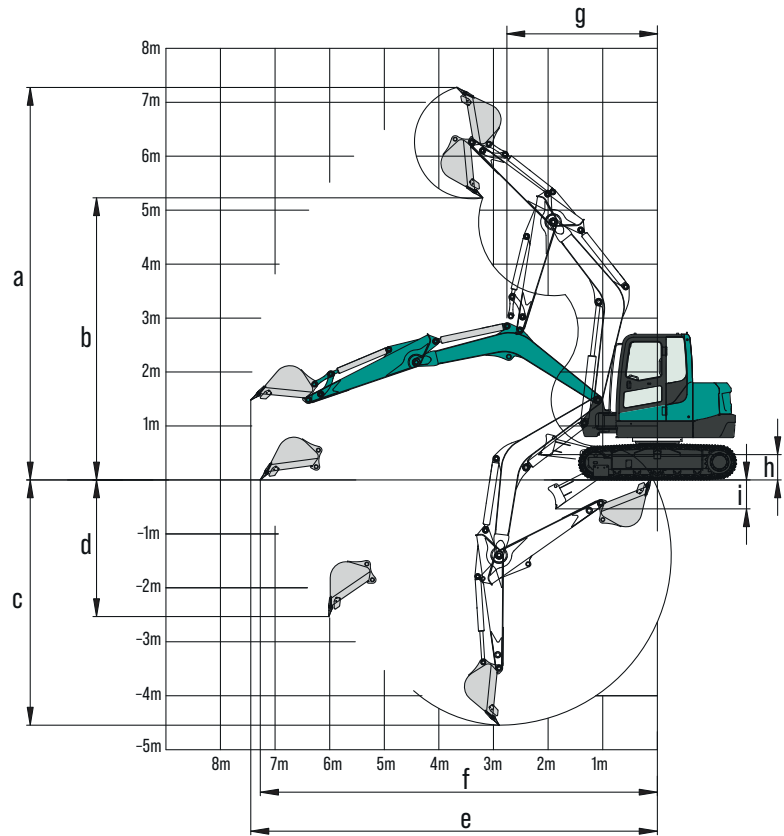
TYPE OF CAB		Cab
BUCKET CAPACITY		0.18 m <sup>3</sup>
BUCKET WIDTH, STD.		675 mm
MACHINE WEIGHT		5 700 - 5 770 kg
DIMENSIONS	Overall dimension (L × W × H)	5 500 × 1 980 × 2 550 mm
	A Total length	5 500 mm
	B Total height	2 550 mm
	C Total with	1 960 mm
	D Ground clearance of counter weight	640 mm
	E Minimum ground clearance	330 mm
	F Tail swing radius	1 050 mm
	G Track length on the ground	1 965 mm
	H Track length	2 490 mm
	I Track gauge	1 550 mm
	J Undercarriage width	1 960 mm
	K Track shoe width	400 mm
	L Cab height	2 550 mm
	M Height of engine hood	1 560 mm
	N Width of turntable	740 mm
	ENGINE	Max digging force (Bucket)
Max digging force (Arm)		31.1
Brand		KUBOTA
Model		V2607-CR-T
Type		Inline, 4 cylinders, 4 strokes, water cooled, mechanical pump
Emission rating		EU Stage V
Displacement		6.615 L
TRACK	Output	36.5 kW / 2 000 rpm
	Max torque	207 Nm @ 1500 rpm
TRACK	Type	Rubber track
	Rubber shoe width	400 mm
UNDERCARRIAGE	Track length	2 490 mm
	Traveling speed (High/Low)	4.07/2.43 km/h
SWING SPEED	Gradeability	35 deg
		9.4 rpm
GROUND PRESSURE		33.87 kpa
HYDRAULIC PUMPS	Hydraulic pump type	2 variable plunger pumps
	Max displacement of hydraulic pump	2*59.2 L/min
	Hydraulic pressure of hydraulic pump	2*245 bar
	Pilot pump	Gear pump
	Max displacement of pilot pump	42.24 L/min
SWING MOTOR	Hydraulic pressure of pilot pump	210 bar
		Piston motor
TRAVEL MOTOR		2-speed piston motor
FUEL TANK CAPACITY		70 L
HYDRAULIC OIL TANK CAPACITY		70 L

## DIMENSIONS



## WORKING RANGE

WORKING RANGE & BREAKOUT FORCE	a	Max. cutting height	5 610 mm
	b	Max. loading height	3 950 mm
	c	Max. digging depth	3 710 mm
	d	Max. vertical digging depth	3 199 mm
	e	Max. digging reach	6 235 mm
	f	Max. reach on ground	6 105 mm
	g	Min. front swing radius	2 475 mm
	h	Max dozer lifting height	445 mm
	i	Max dozer cutting depth	400 mm
		Max digging force (Bucket)	46.8 kN
		Max digging force (Arm)	31.1 kN
	Boom swing angle (Left/Right)	70/50°	

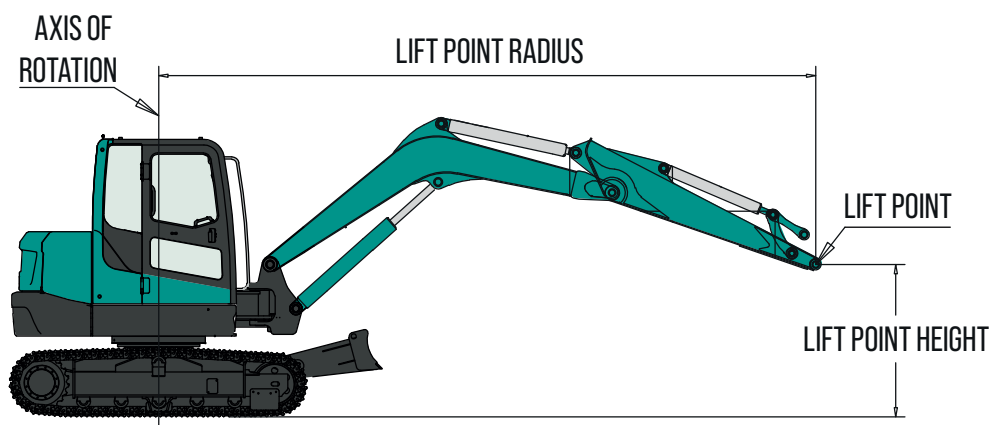


## LIFTING CAPACITY

Lift Point Height (m)	Lift Point Radius (MAX)		Lift Point Radius (5.0m)		Lift Point Radius (4.0m)		Lift Point Radius (3.0m)	
	Over-front (kg)	Over-side (kg)	Over-front (kg)	Over-side (kg)	Over-front (kg)	Over-side (kg)	Over-front (kg)	Over-side (kg)
4.0	915.0*	832.5*	/	/	/	/	/	/
3.0	765.0*	675.0*	/	/	1080.0*	937.5*	/	/
2.0	705.0*	577.5*	753.8*	637.5*	1125.0*	930.0*	1590.0*	1402.0*
1.0	675.0*	547.5*	682.5*	607.5*	855.0*	847.5*	1290.0*	1290.0*
0.0	622.5*	540.0*	630.0*	577.5*	907.5*	780.0*	1350.0*	1125.0*
-1.0	682.5*	600.0*	/	/	862.5*	735.0*	1267.5*	1065.0*
-2.0	795.0*	727.5*	/	/	855.0*	750.0*	1140.0*	990.0*

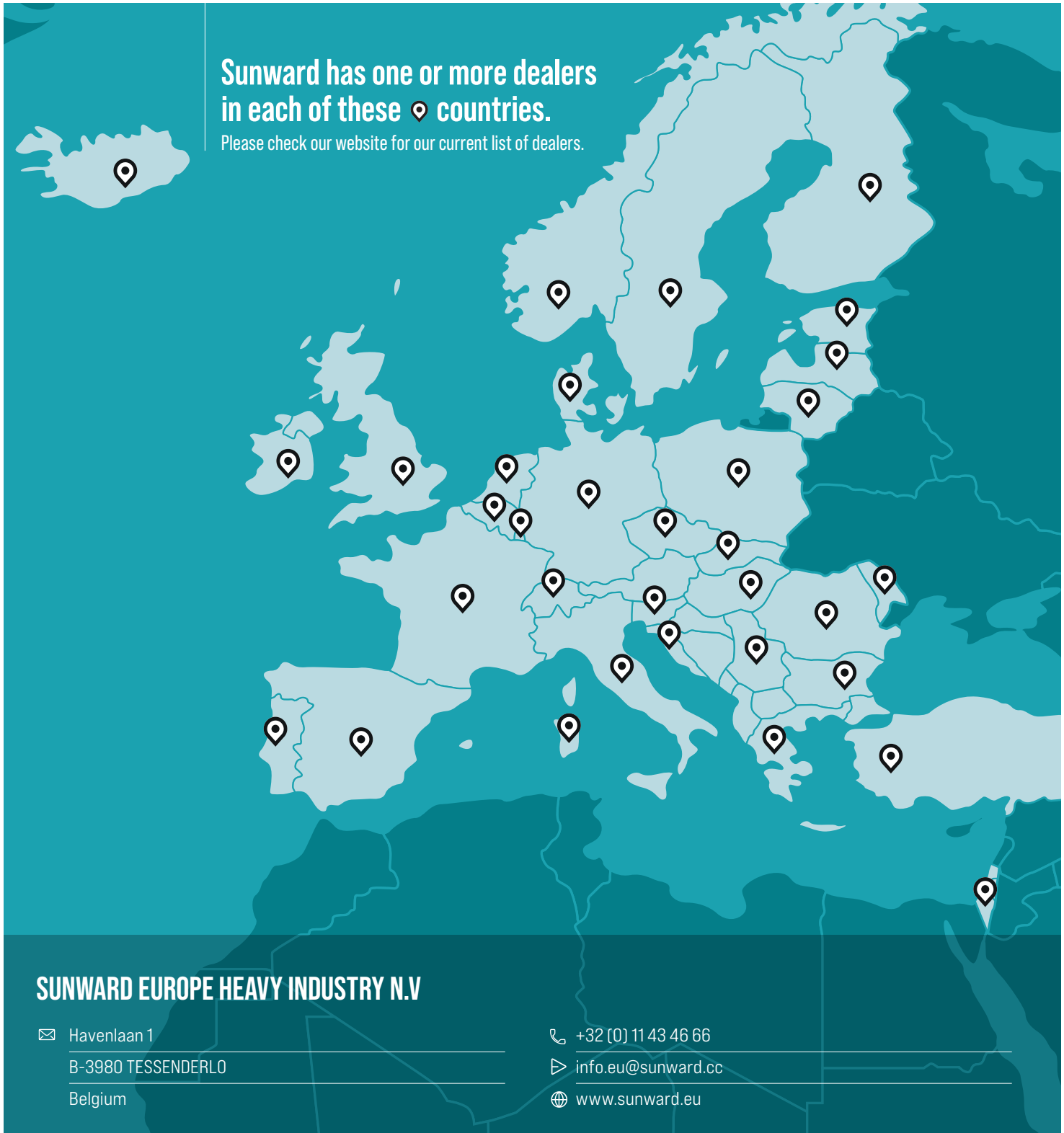
Notes:

1. Load with \* is limited by hydraulic capacity and based on ISO 10567. Rated loads do not exceed 87% of hydraulic capacity.
2. Load without \* is limited by tipping load and based on ISO 10567. Rated loads do not exceed 75% of tipping capacity.
3. The excavator bucket, hook, sling and other lifting accessories are not included in this table.



Sunward has one or more dealers  
in each of these  countries.

Please check our website for our current list of dealers.



## SUNWARD EUROPE HEAVY INDUSTRY N.V

✉ Havenlaan 1  
B-3980 TESSENDERLO  
Belgium

☎ +32 (0) 11 43 46 66  
▶ info.eu@sunward.cc  
🌐 www.sunward.eu

## DEALER CONTACTS